

Electrical Ship's Heaters (Naval version)

TKZ: 80869 / 80870
 Typ: 500 / 1000



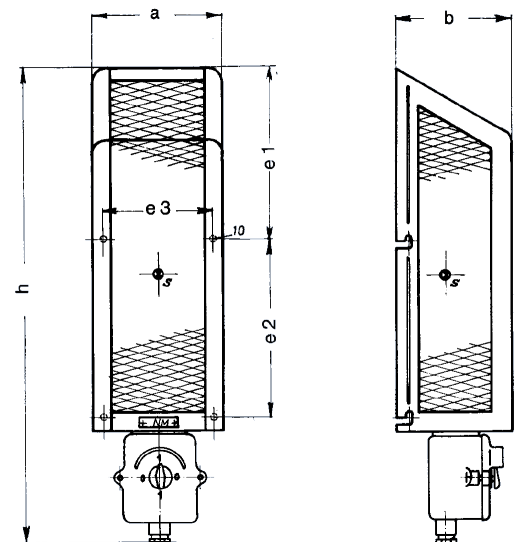
The electrical ship heater type HGL / MA - naval version - fulfills the technical requirements of the German norm sheet VG 88974. The heater is available with a built-in on / off or regulator switch.

The heaters are serially equipped with an automatic thermal cut out. This can only be switched on again using tools.

Product feature:

- Designed and constructed acc. to VG 88974 „NM“ and SAK-BL 4661-01
- Shock- and vibration-proof
- Seawater-resistant
- Amagnetic
- Protection class IP 55

Type	h (mm)	a (mm)	b (mm)	e1 (mm)	e2 (mm)	e3 (mm)
HGL / MA 500	660	180	160	235	245	140
HGL / MA 1000	1010	200	180	295	550	150



Type	HGL / MA 500	HGL / MA 1000
Weight	5.0 kg	8.5 kg
Wattage	500 W	1,000 W
Power Supply	220 V DC / 440 V AC	220 V DC / 440 V AC
Protection Class acc. to DIN 40050	IP 55	IP 55
Cable gland	M24 x 1,5 DIN 89280	M24 x 1,5 DIN 89280
Finish	RAL 7001 silver grey	RAL 7001 silver grey