

Swivelling and Tilt Joint

for Fire Extinguishing Generators of types: Dynameco 2000-...

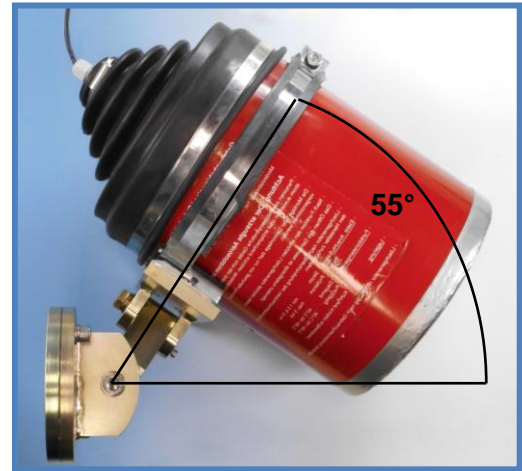
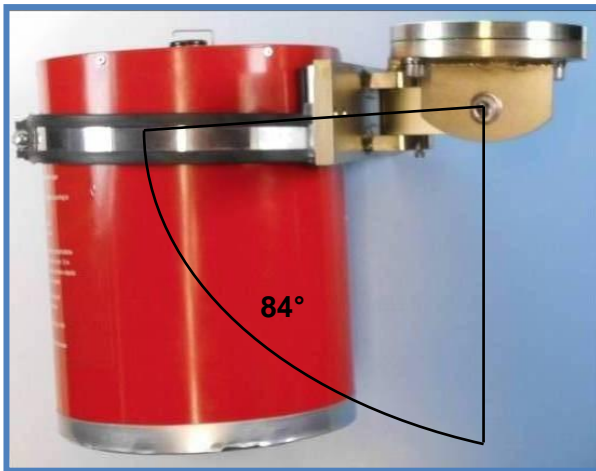
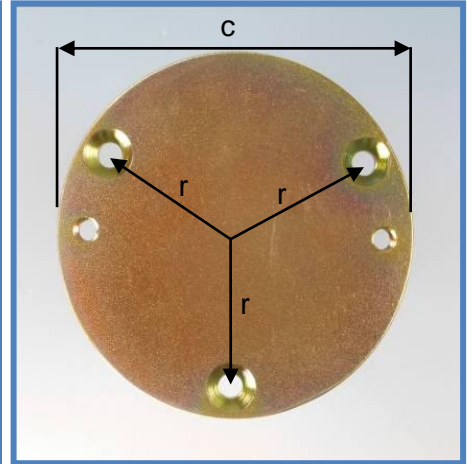
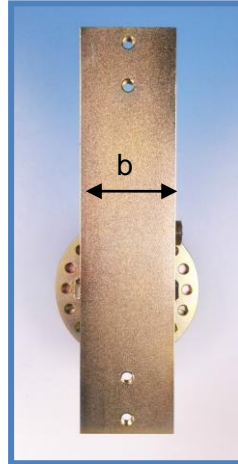
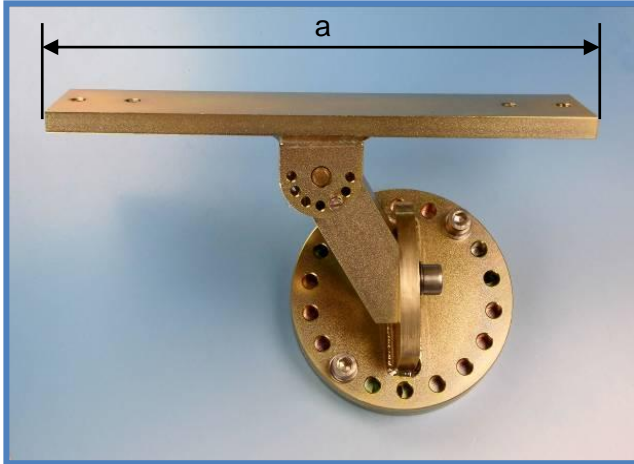
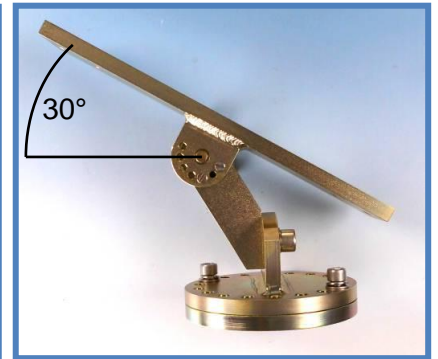
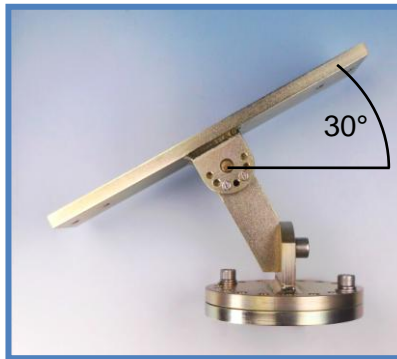
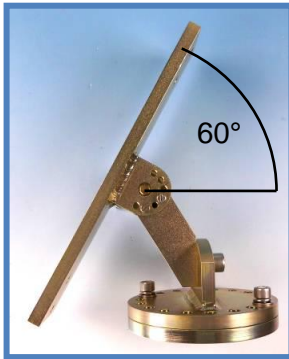
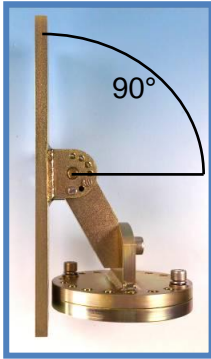
Type: Dynameco SNG 2000

EGONHARIG

flamtron®

Electronic systems Fire alarm systems

All rights strictly reserved except when stipulated otherwise expressly by contract. Reproduction or issue to third parties in any form whatever is not permitted without written authority from the proprietors.



Alle Rechte, soweit nicht vertraglich anders vereinbart, sind ausdrücklich vorbehalten. Vervielfältigung oder Mitteilung an Dritte, gleichgültig in welcher Form, ist ohne schriftliche Genehmigung des Eigentümers nicht gestattet.

Characteristics:

- Manufacturer: EGON HARIG GmbH
- P/N: 80 008
- Material: steel, yellow zink plated
- Suitable for mounting and alignment of one Fire Extinguishing Generator of types: Dynameco 2000 - ... using the Mounting Clamp of type: Dynameco BS 2000
- Pivotaly, on the wall-mounting plate, around 360 ° every 20 °

Technical Data:

Dimensions:

a = 256 mm

b = 60 mm

c = 120 mm

r = 50 mm

Bore holes for

mounting on the wall:

8 mm, countersunk head

Angle between the

mounting holes:

120 °

Weight:

4.1 kg

Date

02/18/2014

EGON HARIG GmbH
 Gewerbering 4 • D-22113 Oststeinbek
 Tel./Phone: +49 (0)40 713752-0
 Telefax: +49 (0)40 713752-24
 E-Mail: egonharig@egonharig.de
 www.egonharig.de www.flamtron.de

Catalog sheet No

4.13265-1

Version

1/W.HR

Page 1 of 1